

7500 Series™ Heavy Duty Precision Ground Radial Bearings

- **PRECISION GROUND ON ALL CONTACT SURFACES, SIMILAR TO THE 1600 SERIES™ BEARINGS**
- **EASY TO USE INCH DIMENSIONS**
- **MEDIUM LOADS**
- **MAX SPEED RANGE - 5000 - 6000 RPM**
- **THROUGH HARDENED BEARING STEEL**
- **RETAINER DESIGN**
- **NYLON RETAINER STANDARD**
- **DOUBLE SEALED STANDARD**
- **HIGHLY EFFECTIVE SINGLE LIP CONTACT SEAL WITH TRASH GUARD**
- **AVAILABLE SINGLE SEALED OR OPEN**
- **ALL BEARINGS HAVE A SNAP RING GROOVE (SNAP RING ASSEMBLED AS AN OPTION)**
- **RECOMMENDED FOR APPLICATIONS WHERE ACCURATE, QUIET PERFORMANCE AND SUPERIOR SEALING ARE REQUIRED**



BEARING ①	PRINCIPLE DIMENSIONS						
	BORE d (in) (mm) +.0000 +.000 -.0005 -.013	O.D. D (in) (mm) +.0000 +.000 -.0005 ② -.013	WIDTH B (in) (mm) +.000 +.00 -.005 -.13	A (in) (mm)	INNER WIDTH C (in) (mm) +.000/- .005 +.00/- .13	F (in) (mm)	
7508™	.5000 12.70	1.7500 44.45	0.6250 15.88	0.0625 1.59	.7500 19.05	1.009 25.63	
7510™	0.6250 15.88	1.7500 44.45	0.6250 15.88	0.0625 1.59	.7500 19.05	1.009 25.63	
7512™	.7500 19.05	1.7500 44.45	0.6250 15.88	0.0625 1.59	.7500 19.05	1.009 25.63	
7514™ ②	0.8750 22.23	2.0000 50.80	0.6250 15.88	0.0625 1.59	.7500 19.05	1.306 33.17	
7516™ ②	1.0000 25.40	2.0000 50.80	0.6250 15.88	0.0625 1.59	.7500 19.05	1.306 33.17	
7518™ ②	1.1250 28.58	2.5625 65.09	.7500 19.05	0.0625 1.59	0.8750 22.23	1.672 42.47	
7520™ ②	1.2500 31.75	2.5625 65.09	.7500 19.05	0.0625 1.59	0.8750 22.23	1.672 42.47	

① When ordering please indicate designation and style letters of bearing desired (i.e. DL or DLG) ③ Radius R indicates the maximum fillet radius in housing or shaft which bearing will clear

② Tolerance for 7514™ and larger is +.0000/- .0006 (+.000/- .015) ④ Weights given are for greased and sealed versions

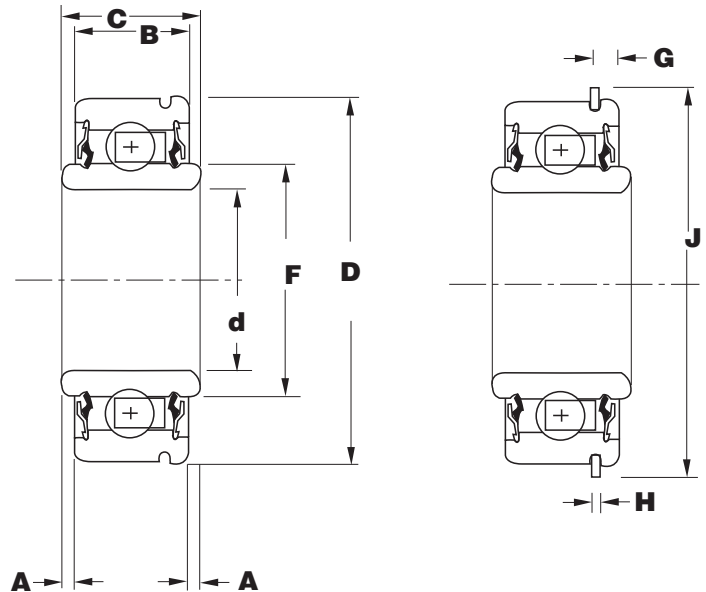
All bearing designations listed herein are trademarks of RBC Nice® Bearings.

7500 Series™ Heavy Duty Precision Ground Radial Bearings

The 7500 Series™ bearings are single row retainer type radial bearings, similar in construction to the 1600 Series™ bearings. They incorporate a highly effective single lip contact seal, with metal guard. The inner and outer rings are turned from chrome steel and after careful heat treatment the through hardened rings are accurately ground to close tolerances.

The 7500 Series™ bearings are recommended for applications requiring the accuracy of rotation and quiet performance of close tolerance precision grade bearings, and where a superior seal is required to retain lubricant and keep the bearing free from dust and dirt.

Normally double sealed (type DL), the 7500 Series™ bearings can be produced to order with seals on one side only (type SL) or without seals (type NL). Double sealed bearings are grease packed as standard; however, all types can be furnished with or without grease packing as desired. All types are provided with a snap ring groove, with the snap ring assembled on the bearing as an option.



PRINCIPLE DIMENSIONS				BASIC LOAD RATINGS		WEIGHT	ABUTMENT AND FILLET DIMENSIONS		
G (in) (mm) +.000 -.005 +.00/- .13	H (in) (mm)	J (in) (mm)	R (in) (mm) Radius ³	Dynamic C (lbs) (N)	Static C ₀ (lbs) (N)	W ⁴ (lbs) (kg)	da min (in) (mm)	Da max (in) (mm)	r max (in) (mm)
0.136 3.45	0.042 1.07	1.9219 48.82	0.035 0.89	2595 11548	1025 4561	0.33 0.15	0.750 19.05	1.500 38.10	0.035 0.89
0.136 3.45	0.042 1.07	1.9219 48.82	0.035 0.89	2595 11548	1025 4561	0.29 0.13	0.875 22.23	1.500 38.10	0.035 0.89
0.136 3.45	0.042 1.07	1.9219 48.82	0.035 0.89	2595 11548	1025 4561	0.31 0.14	1.000 25.40	1.500 38.10	0.035 0.89
0.136 3.45	0.042 1.07	2.1563 54.77	0.035 0.89	2970 13217	1350 6008	0.36 0.16	1.125 28.58	1.750 44.45	0.035 0.89
0.136 3.45	0.042 1.07	2.1563 54.77	0.035 0.89	2970 13217	1350 6008	0.33 0.15	1.250 31.75	1.750 44.45	0.035 0.89
0.190 4.83	0.065 1.65	2.7656 70.25	0.035 0.89	5360 23852	2620 11659	0.80 0.36	1.375 34.93	2.312 58.72	0.035 0.89
0.190 4.83	0.065 1.65	2.7656 70.25	0.035 0.89	5360 23852	2620 11659	0.57 0.26	1.500 38.10	2.312 58.72	0.035 0.89

Series™ Heavy Duty Precision Ground Radial Bearings with Extended Inner Ring

- PRECISION GROUND ON ALL CONTACT SURFACES, SIMILAR TO THE 1600 SERIES™ BEARINGS
- EASY TO USE INCH DIMENSIONS
- MEDIUM LOADS
- MAX SPEED RANGE - 5000 - 6000 RPM
- THROUGH HARDENED
- CAGED DESIGN
- NYLON CAGE STANDARD
- DOUBLE SEALED STANDARD
- HIGHLY EFFICIENT SINGLE LIP CONTACT SEAL
- AVAILABLE SINGLE SEALED OR OPEN
- EXTENDED INNER RING WITH SET SCREWS
- ALL BEARINGS HAVE A SNAP RING GROOVE, SNAP RING ASSEMBLED AS AN OPTION
- RECOMMENDED FOR APPLICATIONS WHERE ACCURATE, QUIET PERFORMANCE AND SUPERIOR SEALING ARE REQUIRED



BEARING ①	PRINCIPLE DIMENSIONS					
	BORE d (in) (mm) +.0008 +.020 -.0000 -.000	O.D. D (in) (mm) +.0000 +.000 -.0005 ② -.013	WIDTH B (in) (mm) +.000 +.00 -.005 -.13	A (in) (mm)	F (in) (mm)	G (in) (mm) +.005 +.13 -.005 -.13
7608™	.5000 12.70	1.7500 44.45	0.6250 15.88	0.0625 1.59	1.009 25.63	0.136 3.45
7609™	.5625 14.29	1.7500 44.45	0.6250 15.88	0.0625 1.59	1.009 25.63	0.136 3.45
7610™	.6250 15.88	1.7500 44.45	0.6250 15.88	0.0625 1.59	1.009 25.63	0.136 3.45
7611™	.6875 17.46	1.7500 44.45	0.6250 15.88	0.0625 1.59	1.009 25.63	0.136 3.45
7612™	.7500 19.05	1.7500 44.45	0.6250 15.88	0.0625 1.59	1.009 25.63	0.136 3.45
7613™ ②	.8125 20.64	2.0000 50.80	0.6250 15.88	0.0625 1.59	1.306 33.17	0.136 3.45

① When ordering please indicate designation and style letters of bearing desired (i.e. DL or DLG)

③ Radius R indicates the maximum fillet radius in housing or shaft which bearing will clear

② Tolerance for 7613™ and larger is +.0000/-.0006 (+.000/-.015)

④ Weights given are for greased and sealed versions

All bearing designations listed herein are trademarks of RBC Nice® Bearings.

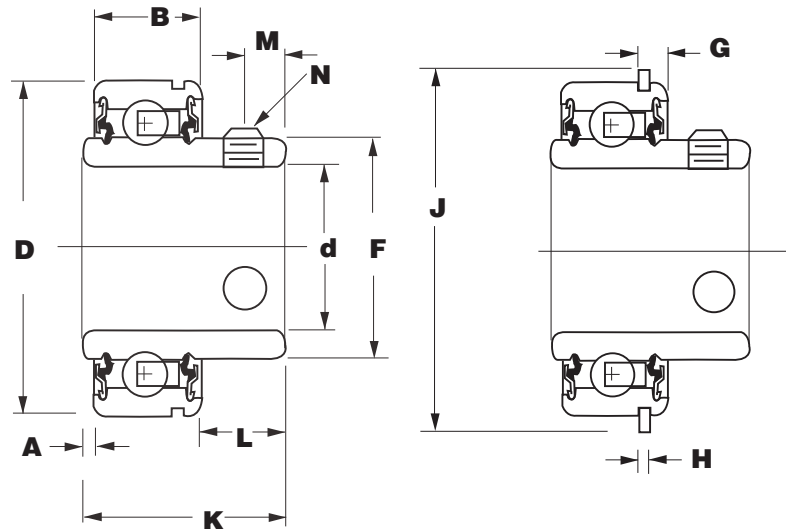
7600

Series™ Heavy Duty Precision Ground Radial Bearings with Extended Inner Ring

The 7600 Series™ bearings are single row retainer type radial bearings similar in construction to the 1600 Series™ bearings. They incorporate a highly efficient single lip contact seal with metal guard. The inner and outer rings are turned from chrome steel and after careful heat treatment the through hardened rings are accurately ground to close tolerances. The inner ring is extended and contains set screws whereas the 7500 Series™ bearing does not.

The 7600 Series™ bearings are recommended for applications requiring the accuracy of rotation and quiet performance of close limit precision grade bearings, and where a superior seal is required to retain lubricant and keep the bearing free from dust and dirt.

Normally double sealed (type DL), the 7600 Series™ bearings can be produced to order with seals on one side only (type SL) or without seals (type NL). Double sealed bearings are grease packed as standard; however, all types can be furnished with or without grease packing as desired. All types are provided with a snap ring groove, with the snap ring assembled on the bearing as an option.



PRINCIPLE DIMENSIONS							BASIC LOAD RATINGS		WEIGHT
H (in) (mm)	J (in) (mm)	K (in) (mm) +.000 +.00 -.005 -.13	L (in) (mm)	M (in) (mm)	N 2 set screws	Radius ³ R (in) (mm)	Dynamic C (lbs) (N)	Static C ₀ (lbs) (N)	W ⁴ (lbs) (kg)
0.042 1.07	1.922 48.82	1.092 27.74	0.405 10.29	0.233 5.92	10-32	0.035 0.89	2595 11548	1025 4561	0.36 0.16
0.042 1.07	1.922 48.82	1.092 27.74	0.405 10.29	0.233 5.92	10-32	0.035 0.89	2595 11548	1025 4561	0.34 0.15
0.042 1.07	1.922 48.82	1.092 27.74	0.405 10.29	0.233 5.92	10-32	0.035 0.89	2595 11548	1025 4561	0.32 0.15
0.042 1.07	1.922 48.82	1.092 27.74	0.405 10.29	0.233 5.92	10-32	0.035 0.89	2595 11548	1025 4561	0.30 0.14
0.042 1.07	1.922 48.82	1.092 27.74	0.405 10.29	0.233 5.92	10-32	0.035 0.89	2595 11548	1025 4561	0.28 0.13
0.042 1.07	2.156 54.77	1.179 29.95	0.492 12.50	0.261 6.63	1/4-28	0.035 0.89	2970 13217	1350 6008	0.45 0.20

Series™ Heavy Duty Precision Ground Radial Bearings with Extended Inner Ring (con't)

- PRECISION GROUND ON ALL CONTACT SURFACES, SIMILAR TO THE 1600 SERIES™ BEARINGS
- EASY TO USE INCH DIMENSIONS
- MEDIUM LOADS
- MAX SPEED RANGE - 5000 - 6000 RPM
- THROUGH HARDENED
- CAGED DESIGN
- NYLON CAGE STANDARD
- DOUBLE SEALED STANDARD
- HIGHLY EFFICIENT SINGLE LIP CONTACT SEAL
- AVAILABLE SINGLE SEALED OR OPEN
- EXTENDED INNER RING WITH SET SCREWS
- ALL BEARINGS HAVE A SNAP RING GROOVE, SNAP RING ASSEMBLED AS AN OPTION
- RECOMMENDED FOR APPLICATIONS WHERE ACCURATE, QUIET PERFORMANCE AND SUPERIOR SEALING ARE REQUIRED



BEARING ①	PRINCIPLE DIMENSIONS					
	BORE d (in) (mm) +.0008 +.020 -.0000 -.000	O.D. D (in) (mm) +.0000 +.000 -.0005 ② -.013	WIDTH B (in) (mm) +.000 +.00 -.005 -.13	A (in) (mm)	F (in) (mm)	G (in) (mm) +.005 +.13 -.005 -.13
7614™ ②	.8750 22.23	2.0000 50.80	0.6250 15.88	0.0625 1.59	1.306 33.17	0.136 3.45
7615™ ②	.9375 23.81	2.0000 50.80	0.6250 15.88	0.0625 1.59	1.306 33.17	0.136 3.45
7616™ ②	1.0000 25.40	2.0000 50.80	0.6250 15.88	0.0625 1.59	1.306 33.17	0.136 3.45
7617™ ②	1.0625 26.99	2.5625 65.09	.7500 19.05	0.0625 1.59	1.672 42.47	0.190 4.83
7618™ ②	1.1250 28.58	2.5625 65.09	.7500 19.05	0.0625 1.59	1.672 42.47	0.190 4.83
7620™ ②	1.2500 31.75	2.5625 65.09	.7500 19.05	0.0625 1.59	1.672 42.47	0.190 4.83

① When ordering please indicate bearing designation and style letters of bearing desired (i.e. DL or DLG)

③ Radius R indicates the maximum fillet radius in housing or shaft which bearing will clear

② Tolerance for 7613™ and larger is +.0000/-.0006 (+.000/-.015)

④ Weights given are for greased and sealed versions

All bearing designations listed herein are trademarks of RBC Nice® Bearings.

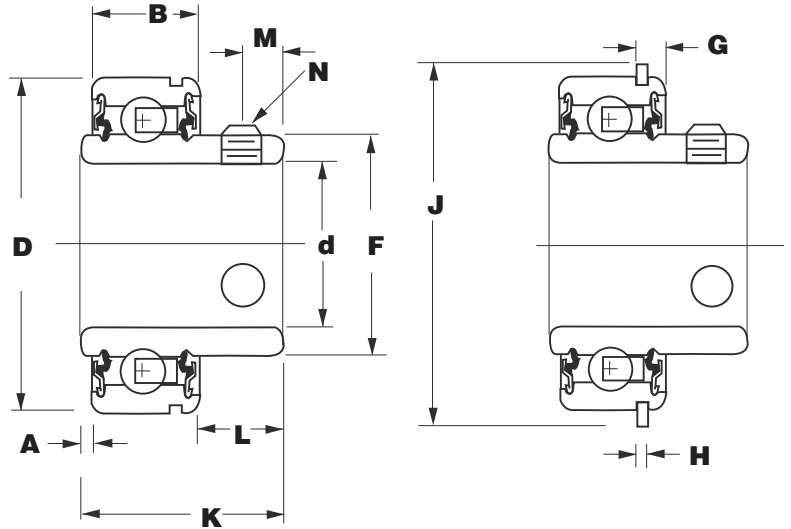
7600

Series™ Heavy Duty Precision Ground Radial Bearings with Extended Inner Ring (con't)

The 7600 Series™ bearings are single row retainer type radial bearings similar in construction to the 1600 Series™ bearings. They incorporate a highly efficient single lip contact seal with metal guard. The inner and outer rings are turned from chrome steel and after careful heat treatment the through hardened rings are accurately ground to close tolerances. The inner ring is extended and contains set screws whereas the 7500 Series™ bearing does not.

The 7600 Series™ bearings are recommended for applications requiring the accuracy of rotation and quiet performance of close limit precision grade bearings, and where a superior seal is required to retain lubricant and keep the bearing free from dust and dirt.

Normally double sealed (type DL), the 7600 Series™ bearings can be produced to order with seals on one side only (type SL) or without seals (type NL). Double sealed bearings are grease packed as standard; however, all types can be furnished with or without grease packing as desired. All types are provided with a snap ring groove, with the snap ring assembled on the bearing as an option.



PRINCIPLE DIMENSIONS							BASIC LOAD RATINGS		WEIGHT
H (in) (mm)	J (in) (mm)	K (in) (mm) +.000 +.00 -.005 -.13	L (in) (mm)	M (in) (mm)	N 2 set screws	Radius ³ R (in) (mm)	Dynamic C (lbs) (N)	Static C ₀ (lbs) (N)	W ⁴ (lbs) (kg)
0.042 1.07	2.156 54.77	1.179 29.95	0.492 12.50	0.261 6.63	1/4-28	0.035 0.89	2970 13217	1350 6008	0.43 0.20
0.042 1.07	2.156 54.77	1.179 29.95	0.492 12.50	0.261 6.63	1/4-28	0.035 0.89	2970 13217	1350 6008	0.40 0.18
0.042 1.07	2.156 54.77	1.179 29.95	0.492 12.50	0.261 6.63	1/4-28	0.035 0.89	2970 13217	1350 6008	0.36 0.16
0.065 1.65	2.766 70.25	1.417 35.99	0.605 15.37	0.261 6.63	1/4-28	0.035 0.89	5360 23852	2620 11659	0.84 0.38
0.065 1.65	2.766 70.25	1.417 35.99	0.605 15.37	0.261 6.63	1/4-28	0.035 0.89	5360 23852	2620 11659	0.80 0.36
0.065 1.65	2.766 70.25	1.417 35.99	0.605 15.37	0.261 6.63	1/4-28	0.035 0.89	5360 23852	2620 11659	0.71 0.32