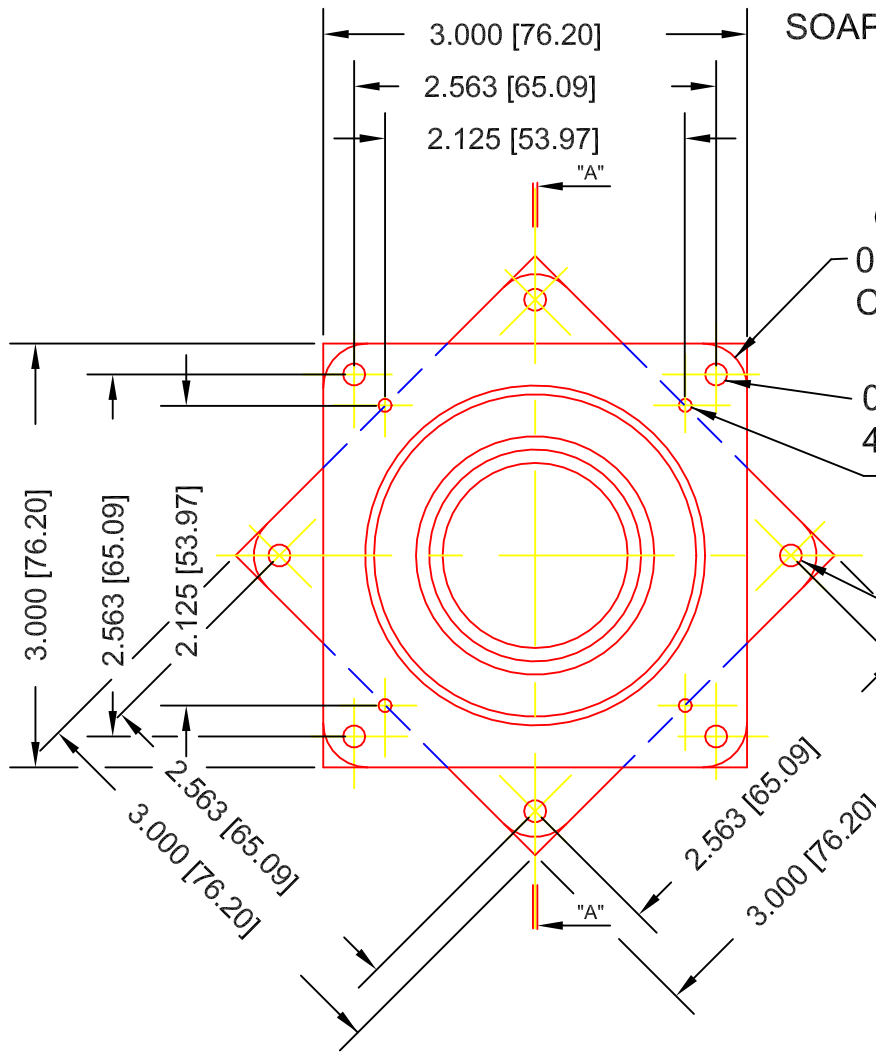


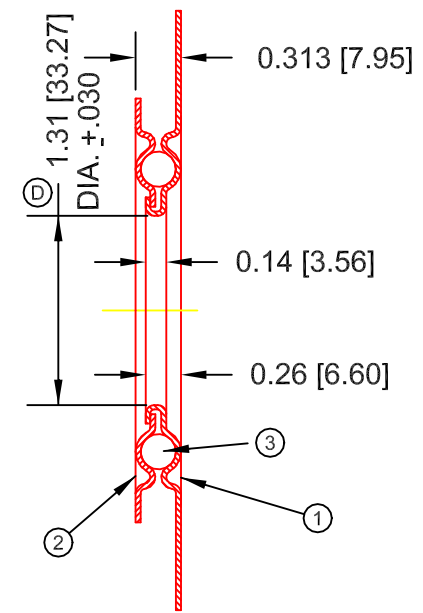
THERE MAY BE 2 TO 4 BALLS LEFT OUT DUE TO MANUFACTURING PROCESS.

CAUTION: PROTECT BALLS AND RACES FROM SAWDUST, DIRT, PAINT, ETC. SHOULD BEARING BECOME "ROUGH" FROM DIRTY RACES, FLUSH THOROUGHLY WITH HOT SOAPY WATER, RINSE, OVEN DRY AND RE-OIL.



PART NO. 3C

- Ⓒ 0.313 [7.95] R. ON CORNERS AS MFG. OPTION.
- Ⓒ 0.156 [3.96] DIA. 4-HOLES FOR #6 SELF TAPPING SCREW 4-HOLES
- Ⓒ 0.094 [2.39] DIA. 4-HOLES
- 0.156 [3.96] DIA. 4-HOLES



SECTION "A-A"

PART STAMPED WITH TRIANGLE NAME STAMP

DET	PART NUMBER	DESCRIPTION	AMT
3	BALLS3	BALL	1
2	1089	PLAIN RACE	1
1	1101	LOCKING RACE	1

**B** TRIANGLE MANUFACTURING CO.

NAME 3" LAZY SUSAN BRG.

PLATING	ELECTRO-GALV	USED IN	////
MATERIAL	SEE DET.	DATE	10-17-59
ALL DIMS ±.020 UNLESS SPECIFIED		DRAWN	SP
		CHECKED	MJK
		SCALE	1 / 1

CHANGE LEVEL	
H	02-18-09

Ⓕ

Ⓖ

Ⓖ

Ⓖ

Ⓖ

Ⓖ